

9/7/2023 3:06 PM
z:\projects\plyco corp\cc-23-0752 - 2023 code change - series 20ev\dwg\pco010-fbc2023.dwg

INSTALLATION NOTES:

- ONE (1) INSTALLATION ANCHOR IS REQUIRED AT EACH ANCHOR LOCATION SHOWN UNLESS OTHERWISE NOTED.
- THE NUMBER OF INSTALLATION ANCHORS DEPICTED IS THE MINIMUM NUMBER OF ANCHORS TO BE USED FOR PRODUCT INSTALLATION.
- INSTALL INDIVIDUAL INSTALLATION ANCHORS WITHIN A TOLERANCE OF ±1/2 INCH OF THE DEPICTED LOCATION IN THE ANCHOR LAYOUT DETAIL (I.E., WITHOUT CONSIDERATION OF TOLERANCES). TOLERANCES ARE NOT CUMULATIVE FROM ONE INSTALLATION ANCHOR TO THE NEXT.
- SHIM AS REQUIRED AT EACH INSTALLATION ANCHOR WITH LOAD BEARING SHIM(S). MAXIMUM ALLOWABLE SHIM STACK TO BE 1/4 INCH. SHIM WHERE SPACE OF 1/16 INCH OR GREATER OCCURS. SHIM(S) SHALL BE CONSTRUCTED OF HIGH DENSITY PLASTIC OR BETTER.
- FOR INSTALLATION INTO WOOD FRAMING USE **#14 WOOD SCREWS** OF SUFFICIENT LENGTH TO ACHIEVE 1 1/2 INCH MINIMUM EMBEDMENT INTO WOOD SUBSTRATE.
- FOR INSTALLATION THROUGH 1X BUCK TO CONCRETE/MASONRY, OR DIRECTLY INTO CONCRETE/MASONRY, USE **1/4 INCH DIAMETER ITW TAPCONS** OF SUFFICIENT LENGTH TO ACHIEVE 1 1/4 INCH MINIMUM EMBEDMENT.
- FOR INSTALLATION INTO STEEL STUD FRAME USE **#14 GR. 5 SELF-TAPPING SCREWS** OF SUFFICIENT LENGTH TO ACHIEVE A MINIMUM 3 THREADS PENETRATION BEYOND STEEL STRUCTURE.
- FOR INSTALLATION ANCHORS THROUGH HINGES ONLY USE **#12 WOOD SCREWS, 3/16 INCH DIAMETER ITW TAPCONS, OR #12 SELF-TAPPING SCREWS** THROUGH EACH OF THE 3 HINGES ADHERING TO EMBEDMENT & EDGE DISTANCE REQUIREMENTS LISTED IN NOTES 5-7 ABOVE. USE ADDITIONAL **#14 WOOD SCREWS, 1/4 INCH DIAMETER ITW TAPCONS, OR #14 SELF-TAPPING SCREWS** THROUGH THE FRAME.
- MINIMUM EMBEDMENT AND EDGE DISTANCE EXCLUDE WALL FINISHES, INCLUDING BUT NOT LIMITED TO STUCCO, FOAM, BRICK VENEER, AND SIDING.
- INSTALLATION ANCHORS AND ASSOCIATED HARDWARE MUST BE MADE OF CORROSION RESISTANT MATERIAL OR HAVE A CORROSION RESISTANT COATING.
- FOR HOLLOW BLOCK AND GROUT FILLED BLOCK, DO NOT INSTALL INSTALLATION ANCHORS INTO MORTAR JOINTS. EDGE DISTANCE IS MEASURED FROM FREE EDGE OF BLOCK OR EDGE OF MORTAR JOINT INTO FACE SHELL OF BLOCK.
- INSTALLATION ANCHORS SHALL BE INSTALLED IN ACCORDANCE WITH ANCHOR MANUFACTURER'S INSTALLATION INSTRUCTIONS, AND ANCHORS SHALL NOT BE USED IN SUBSTRATES WITH STRENGTHS LESS THAN THE MINIMUM STRENGTH SPECIFIED BY THE ANCHOR MANUFACTURER.
- INSTALLATION ANCHOR CAPACITIES FOR PRODUCTS HEREIN ARE BASED ON SUBSTRATE MATERIALS WITH THE FOLLOWING PROPERTIES:
 - WOOD - MINIMUM SPECIFIC GRAVITY OF 0.55.
 - CONCRETE - MINIMUM COMPRESSIVE STRENGTH OF 3000 PSI.
 - MASONRY - STRENGTH CONFORMANCE TO ASTM C-90.
 - STEEL - MINIMUM YIELD STRENGTH OF 33 KSI. MINIMUM WALL THICKNESS OF 48 MILS (18 GAUGE).

PLYCO CORPORATION

SERIES 20EV FLUSH STEEL OUTSWING DOOR (NON-HVHZ) (NON-IMPACT)

GENERAL NOTES:

- THE PRODUCT SHOWN HEREIN IS DESIGNED AND MANUFACTURED TO COMPLY WITH THE CURRENT FLORIDA BUILDING CODE (FBC), **EXCLUDING** HVHZ AND HAS BEEN EVALUATED ACCORDING TO THE FOLLOWING:
 - ASTM E330-14
- ADEQUACY OF THE EXISTING STRUCTURAL CONCRETE/MASONRY AND 2X FRAMING AS A MAIN WIND FORCE RESISTING SYSTEM CAPABLE OF WITHSTANDING AND TRANSFERRING APPLIED PRODUCT LOADS TO THE FOUNDATION IS THE RESPONSIBILITY OF THE ENGINEER OR ARCHITECT OF RECORD FOR THE PROJECT OF INSTALLATION.
- 1X AND 2X BUCKS (WHEN USED) SHALL BE DESIGNED AND ANCHORED TO PROPERLY TRANSFER ALL LOADS TO THE STRUCTURE. BUCK DESIGN AND INSTALLATION IS THE RESPONSIBILITY OF THE ENGINEER OR ARCHITECT OF RECORD FOR THE PROJECT OF INSTALLATION.
- THE INSTALLATION DETAILS DESCRIBED HEREIN ARE GENERIC AND MAY NOT REFLECT ACTUAL CONDITIONS FOR A SPECIFIC SITE. IF SITE CONDITIONS CAUSE INSTALLATION TO DEVIATE FROM THE REQUIREMENTS DETAILED HEREIN, A LICENSED ENGINEER OR ARCHITECT SHALL PREPARE SITE SPECIFIC DOCUMENTS FOR USE WITH THIS DOCUMENT.
- APPROVED IMPACT PROTECTIVE SYSTEM **IS REQUIRED** ON THIS PRODUCT IN AREAS REQUIRING IMPACT RESISTANCE.
- FRAME MATERIAL: ALUMINUM 6063-T5 & CS-B STEEL
- DISSIMILAR METALS INCLUDING FASTENERS THAT MAY COME INTO CONTACT WITH ALUMINUM UNIT FRAMING SHALL BE PROTECTED AS DEFINED IN THE FBC.
- ALL EXPOSED STEEL COMPONENTS ARE GALVANIZED AND SHOP PRIMED.

| TABLE OF CONTENTS | |
|-------------------|--------------------------------|
| SHEET | SHEET DESCRIPTION |
| 1 | INSTALLATION & GENERAL NOTES |
| 2 | ELEVATION & ANCHOR LAYOUT |
| 3 | VERTICAL SECTIONS |
| 4 | HORIZONTAL SECTIONS |
| 5 | COMPONENTS & BILL OF MATERIALS |

| DESIGN PRESSURE RATING | | | | |
|---------------------------|-----------------|---------------------|------------------------|-----------------------|
| LOCK TYPE | FRAME SIZE | DESIGN PRESSURE | | MISSILE IMPACT RATING |
| SINGLE POINT | 51.88" X 85.38" | +45.0 / -40.0 PSF * | W/O WATER INFILTRATION | NON-IMPACT |
| SINGLE POINT W/ DEAD BOLT | 51.88" X 85.38" | +45.0 / -45.0 PSF * | W/O WATER INFILTRATION | NON-IMPACT |
| SINGLE POINT W/ DEAD BOLT | 51.75" X 85.38" | +60.0 / -60.0 PSF * | W/O WATER INFILTRATION | NON-IMPACT |

*UNIT SHALL BE INSTALLED AT LOCATION PROTECTED BY OVERHANG SUCH THAT THE OVERHANG RATIO (OH) = OH LENGTH/OH HEIGHT IS GREATER THAN 1.0 WHERE WATER INFILTRATION IS REQUIRED.



PLYCO CORPORATION
P.O. BOX 386
500 INDUSTRIAL RD.
ELKHART LAKE, WI 53020
PH: (920) 876-3611 FAX: (920) 876-3527

TITLE: SERIES 20EV FLUSH STEEL OUTSWING DOOR (NON-HVHZ) (NON-IMPACT)

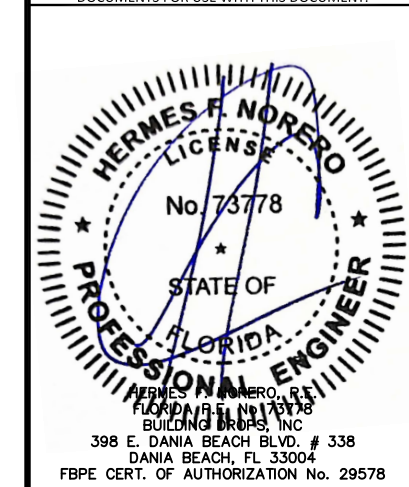
INSTALLATION & GENERAL NOTES

PREPARED BY: BUILDING DROPS, INC.
398 E. DANIA BEACH BLVD., STE. 338
DANIA BEACH, FL 33004
PH: (954)399-8478
FAX: (954)744-4738
WEB: www.buildingdrops.com



| REMARKS | BY | DATE |
|-------------------|----|----------|
| FBC 2023 REVISION | FB | 09/06/23 |
| | | |
| | | |

THE INSTALLATION DETAILS DESCRIBED HEREIN ARE GENERIC AND MAY NOT REFLECT ACTUAL CONDITIONS FOR A SPECIFIC SITE. IF SITE CONDITIONS CAUSE INSTALLATION TO DEVIATE FROM THE REQUIREMENTS DETAILED HEREIN, A LICENSED ENGINEER OR ARCHITECT SHALL PREPARE SITE SPECIFIC DOCUMENTS FOR USE WITH THIS DOCUMENT.



FL #: **FL15336**

DATE: **02.13.12**

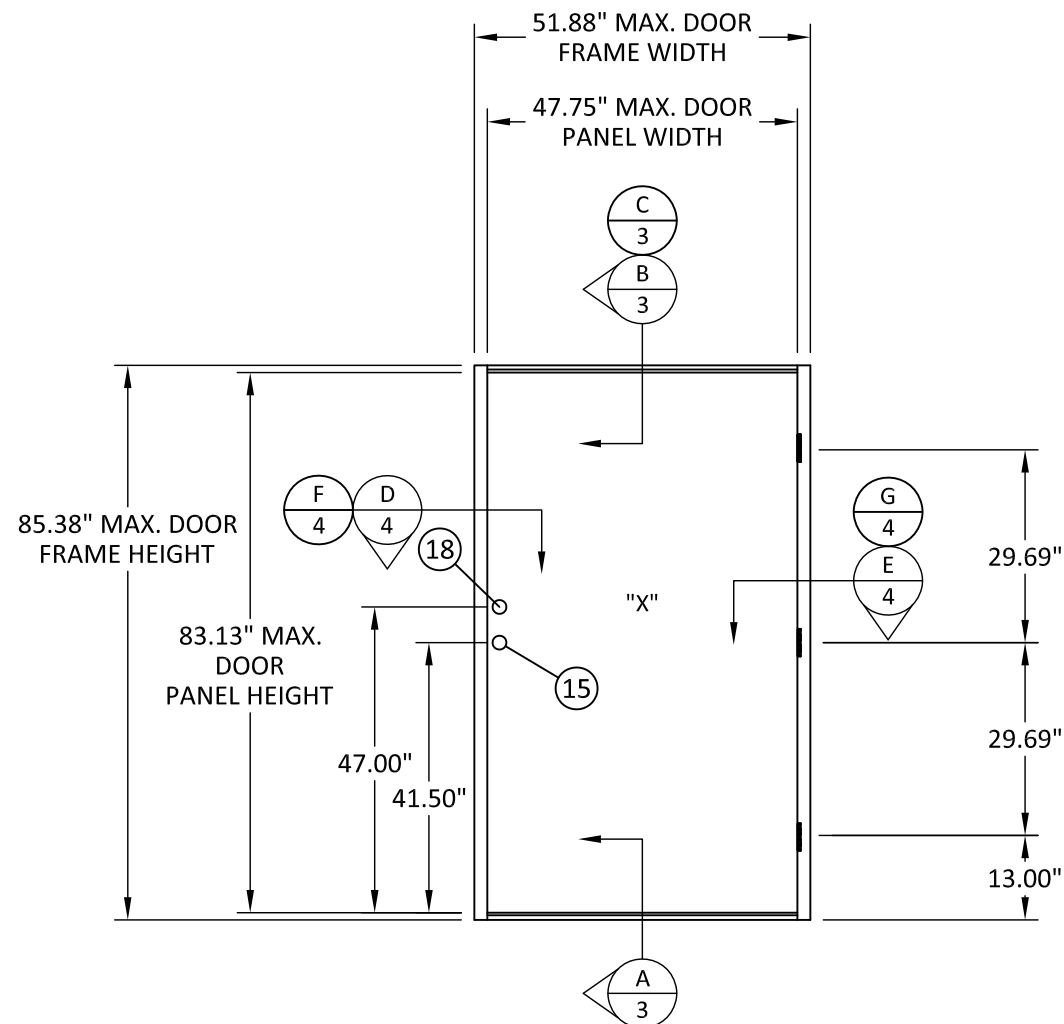
| | |
|---------------------|---------------------|
| DWG. BY: JLA | CHK. BY: HFN |
|---------------------|---------------------|

SCALE: **NTS**

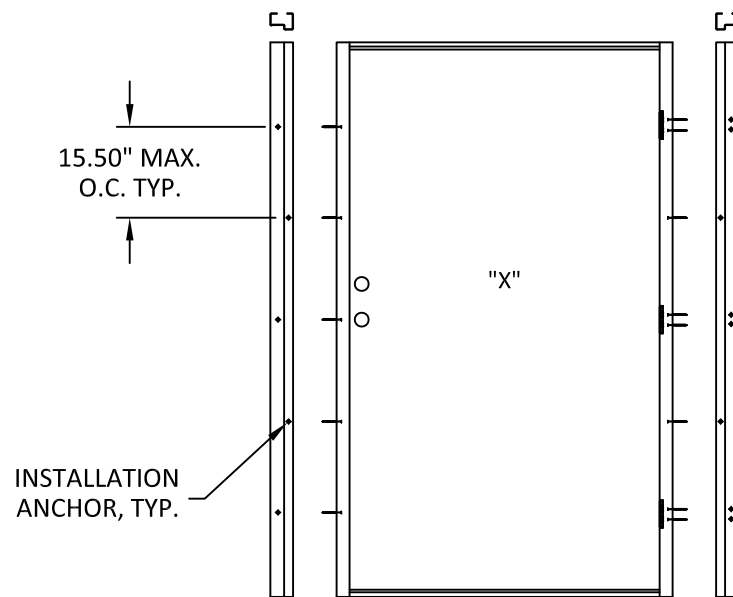
DWG. #: **PCO010**

SHEET: **1** OF **5**

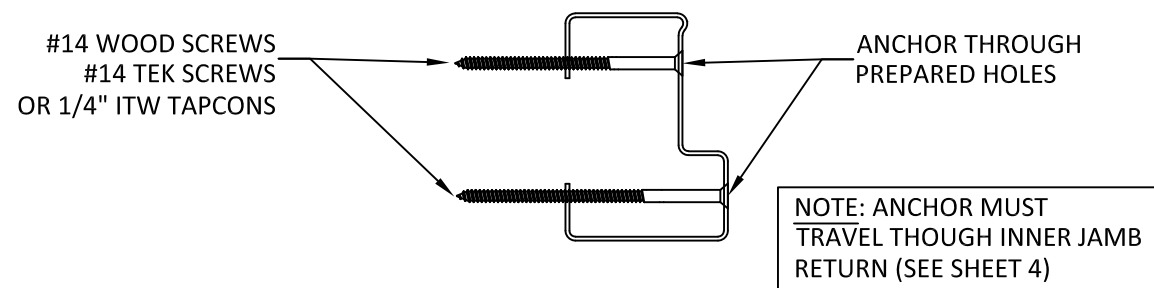
9/7/2023 3:06 PM
z:\projects\plyco corp\ce-23-0752 - 2023 code change - series 20ev\dwg\pco010-fbc2023.dwg



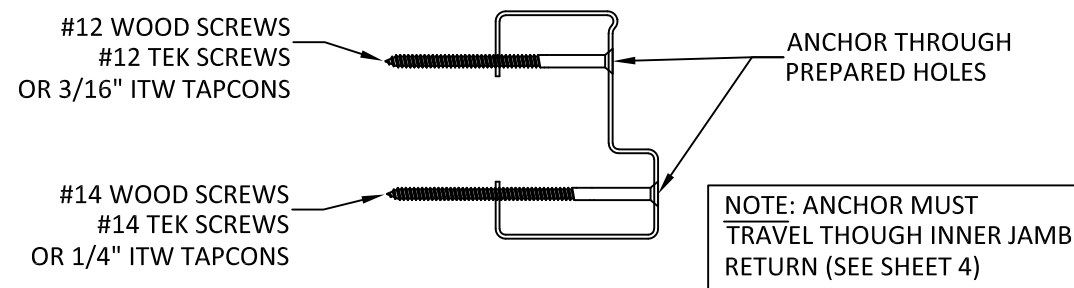
ELEVATION



ANCHOR LAYOUT



LOCK JAMB TYP. ANCHOR PLACEMENT



HINGE JAMB TYP. ANCHOR PLACEMENT

PLYCO

PLYCO CORPORATION

P.O. BOX 386
500 INDUSTRIAL RD.
ELKHART LAKE, WI 53020
PH: (920) 876-3611 FAX: (920) 876-3527

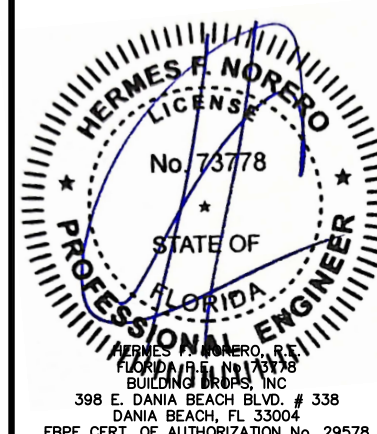
TITLE: SERIES 20EV FLUSH STEEL OUTSWING DOOR (NON-HVHZ) (NON-IMPACT) ELEVATION & ANCHOR LAYOUT

PREPARED BY: BUILDING DROPS, INC.
398 E. DANIA BEACH BLVD., STE. 338
DANIA BEACH, FL 33004
PH: (954)399-8478
FAX: (954)744-4738
WEB: www.buildingdrops.com



| REMARKS | BY | DATE |
|-------------------|----|----------|
| FBC 2023 REVISION | FB | 09/06/23 |
| | | |
| | | |

THE INSTALLATION DETAILS DESCRIBED HEREIN ARE GENERIC AND MAY NOT REFLECT ACTUAL CONDITIONS FOR A SPECIFIC SITE. IF SITE CONDITIONS CAUSE INSTALLATION TO DEVIATE FROM THE REQUIREMENTS DETAILED HEREIN, A LICENSED ENGINEER OR ARCHITECT SHALL PREPARE SITE SPECIFIC DOCUMENTS FOR USE WITH THIS DOCUMENT.



FL #: **FL15336**

DATE: **02.13.12**

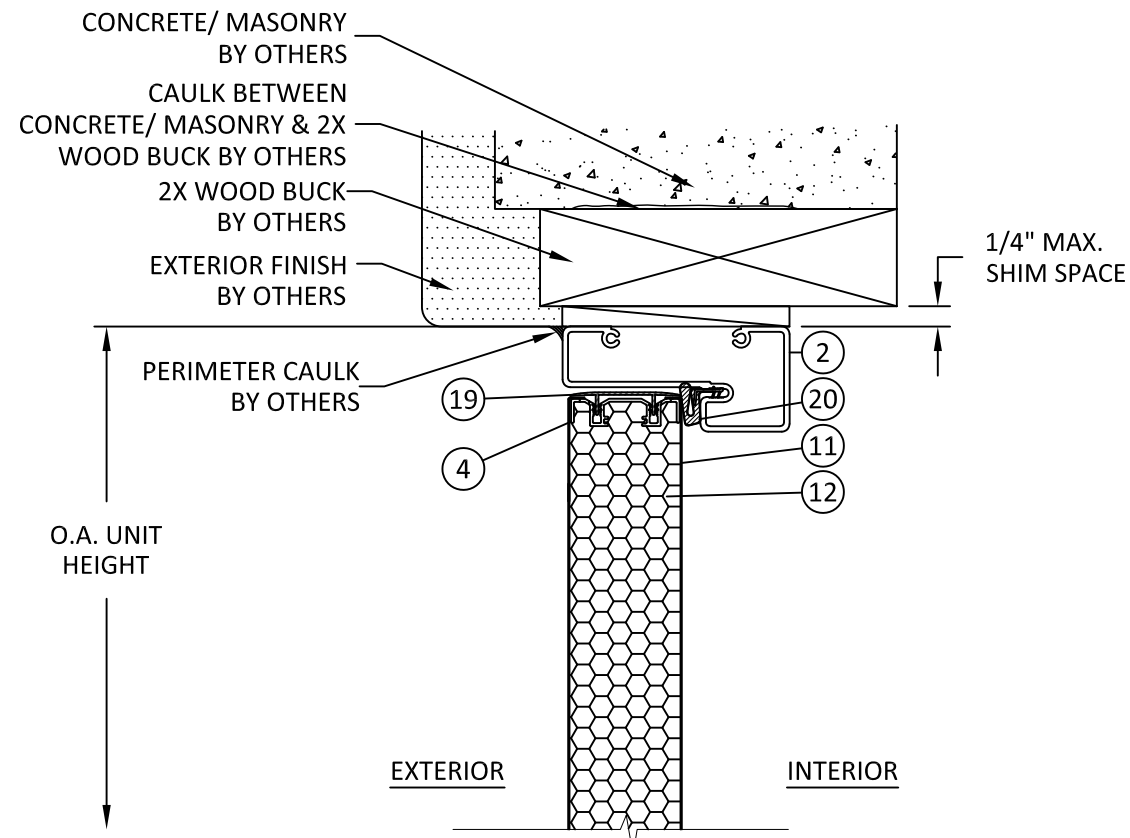
DWG. BY: **JLA** CHK. BY: **HFN**

SCALE: **NTS**

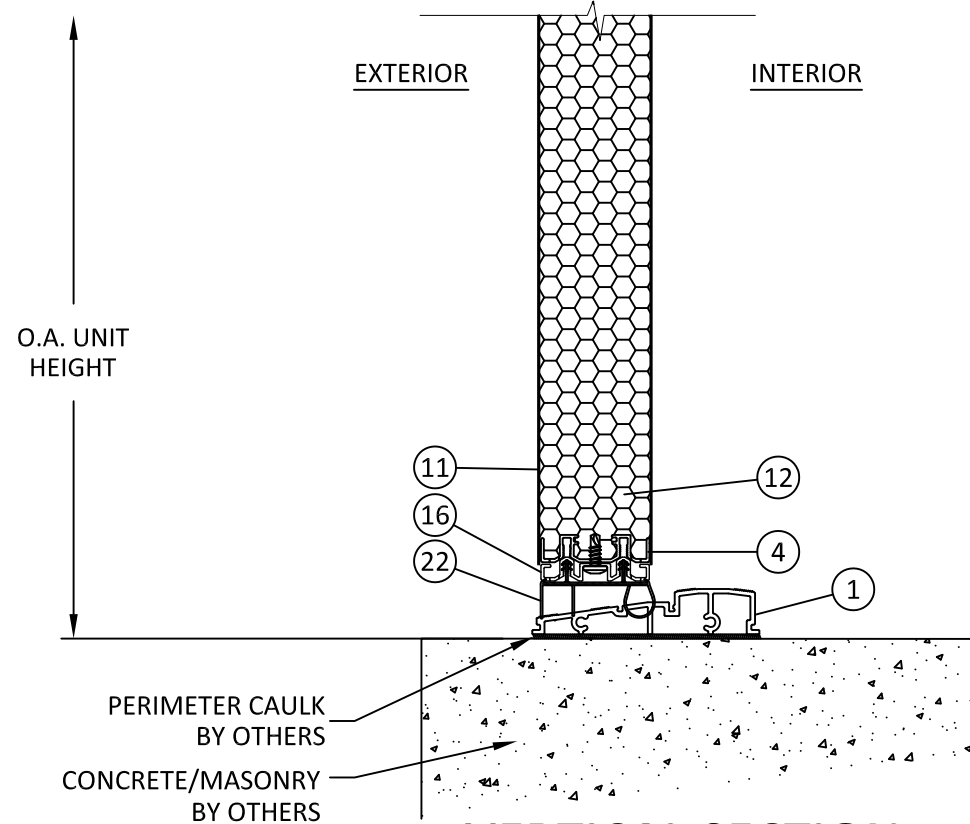
DWG. #: **PCO010**

SHEET: **2**
OF 5

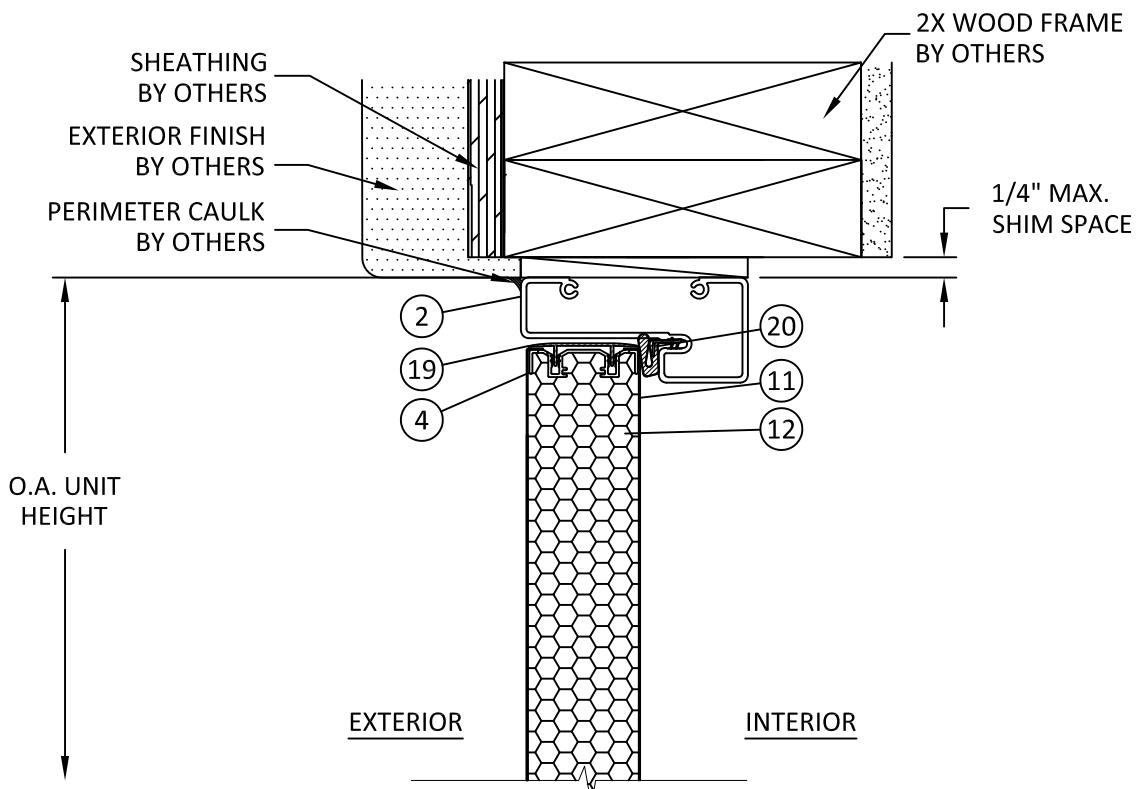
9/7/2023 3:06 PM
 z:\projects\plyco corp\cc-23-0752 - 2023 code change - series 20ev\dwgs\pco010-fbc2023.dwg



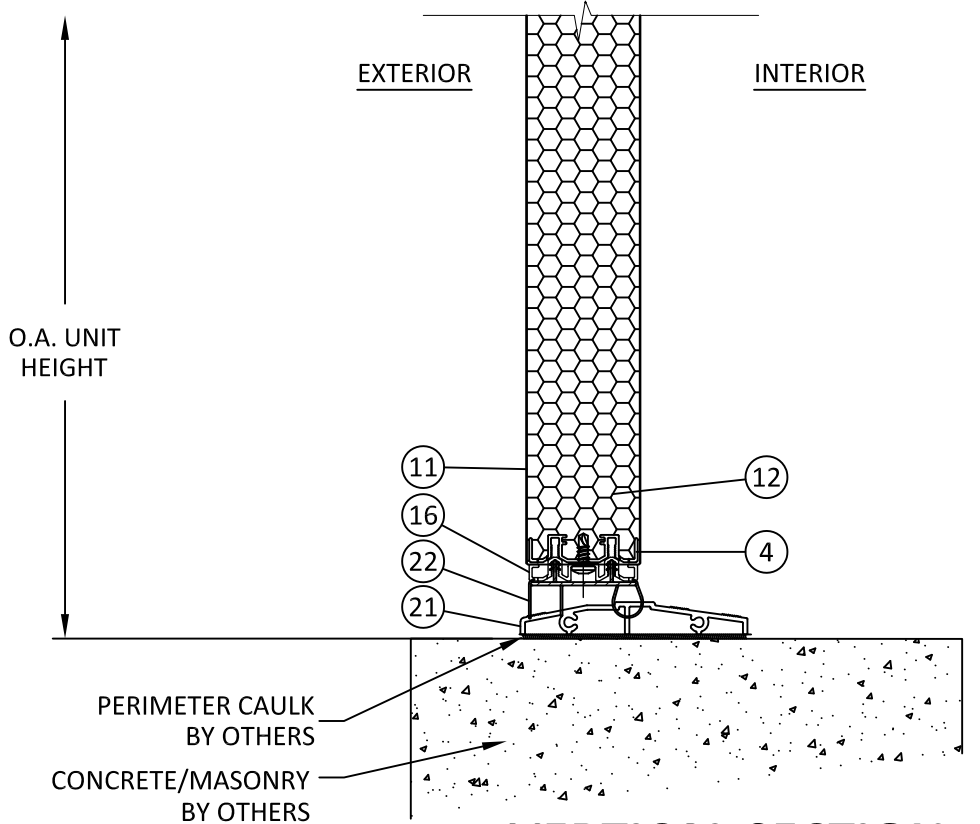
B
3
VERTICAL SECTION
HEAD - 2X WOOD BUCK



A
3
VERTICAL SECTION
SILL - CONCRETE/MASONRY



C
3
VERTICAL SECTION
HEAD - 2X WOOD FRAME



A1
3
VERTICAL SECTION
SILL - ADA THRESHOLD (OPTIONAL)

PLYCO

PLYCO CORPORATION
 P.O. BOX 386
 500 INDUSTRIAL RD.
 ELKHART LAKE, WI 53020
 PH: (920) 876-3611 FAX: (920) 876-3527

TITLE: SERIES 20EV FLUSH STEEL OUTSWING DOOR (NON-HVHZ) (NON-IMPACT) VERTICAL SECTIONS

PREPARED BY: BUILDING DROPS, INC.
 398 E. DANIA BEACH BLVD., STE. 338
 DANIA BEACH, FL 33004
 PH: (954)399-8478
 FAX: (954)744-4738
 WEB: www.buildingdrops.com

| REMARKS | BY | DATE |
|-------------------|----|----------|
| FBC 2023 REVISION | FB | 09/06/23 |
| | | |
| | | |

THE INSTALLATION DETAILS DESCRIBED HEREIN ARE GENERIC AND MAY NOT REFLECT ACTUAL CONDITIONS FOR A SPECIFIC SITE. IF SITE CONDITIONS CAUSE INSTALLATION TO DEVIATE FROM THE REQUIREMENTS DETAILED HEREIN, A LICENSED ENGINEER OR ARCHITECT SHALL PREPARE SITE SPECIFIC DOCUMENTS FOR USE WITH THIS DOCUMENT.



FL #: **FL15336**

DATE: **02.13.12**

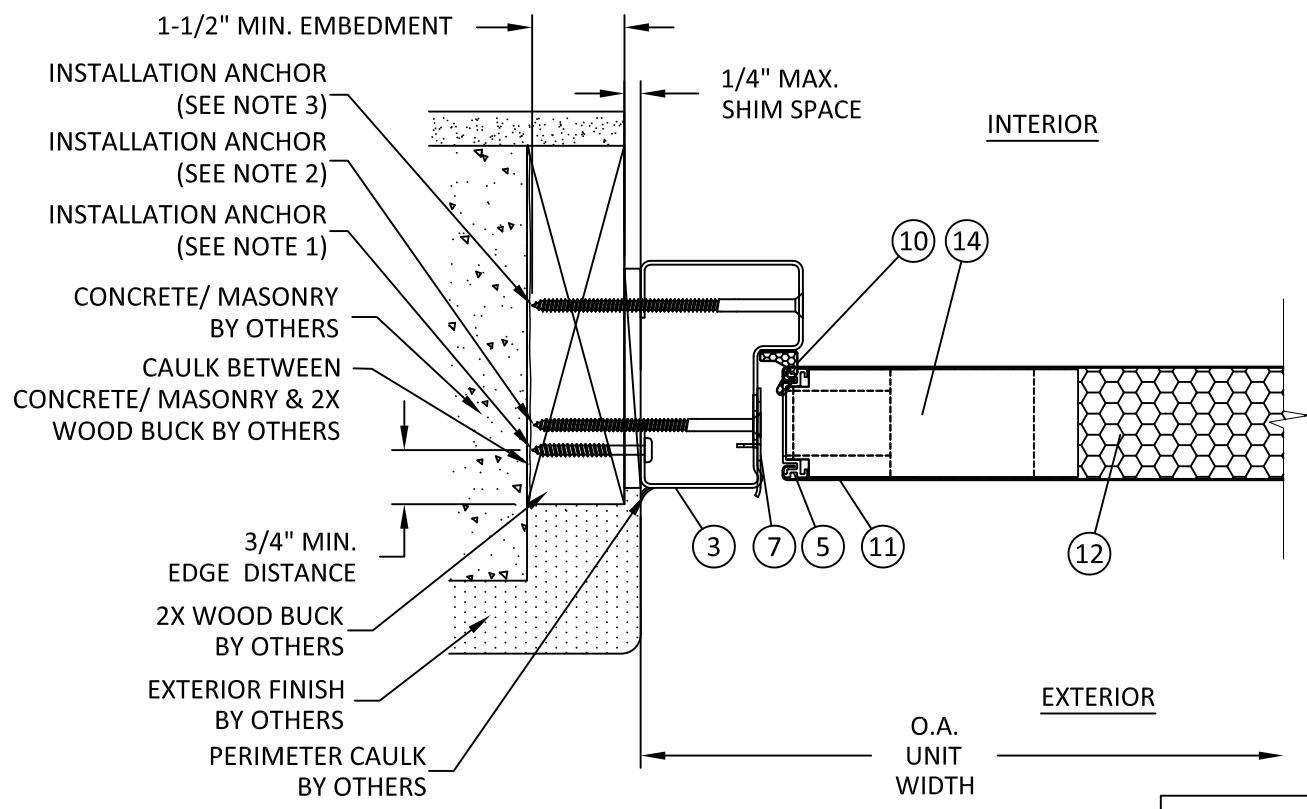
DWG. BY: **JLA** CHK. BY: **HFN**

SCALE: **NTS**

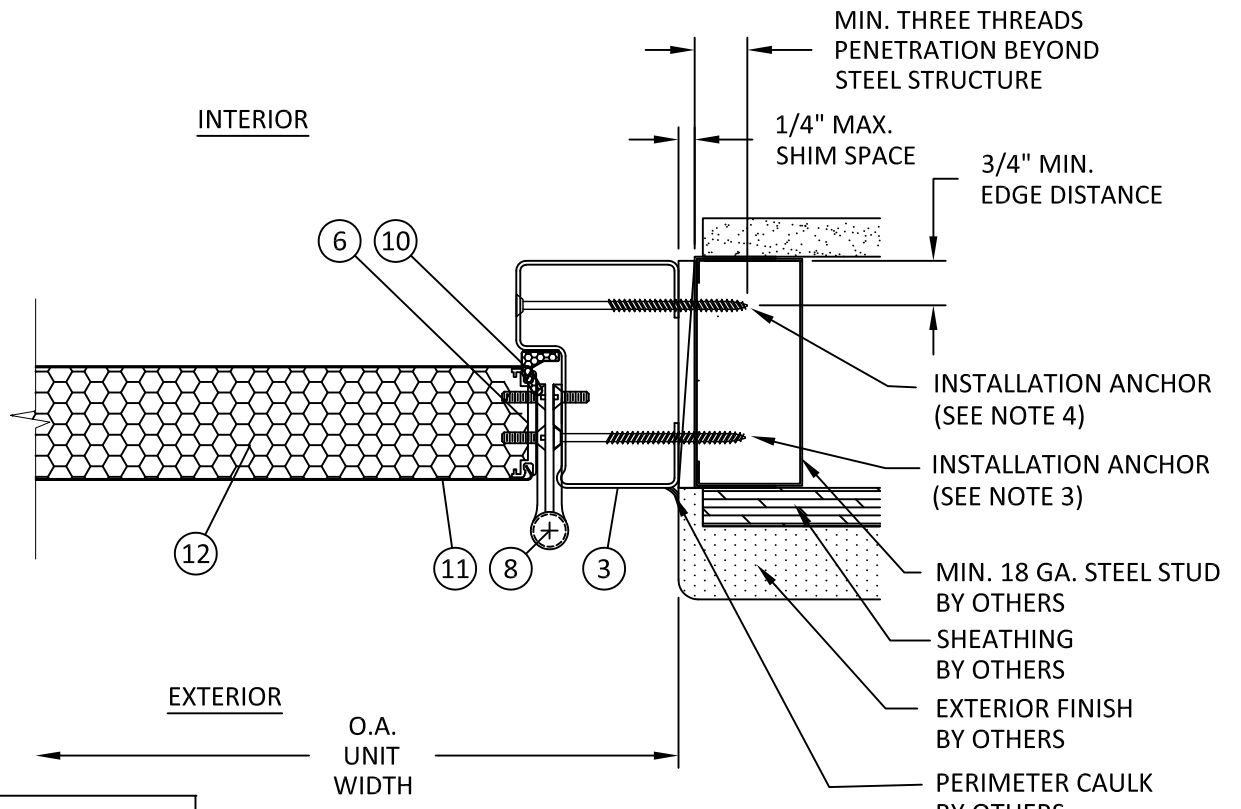
DWG. #: **PCO010**

SHEET: **3**
OF 5

9/7/2023 3:06 PM
 z:\projects\plyco corp\ce-23-0752 - 2023 code change - series 20ev\dwgs\pco010-fbc2023.dwg

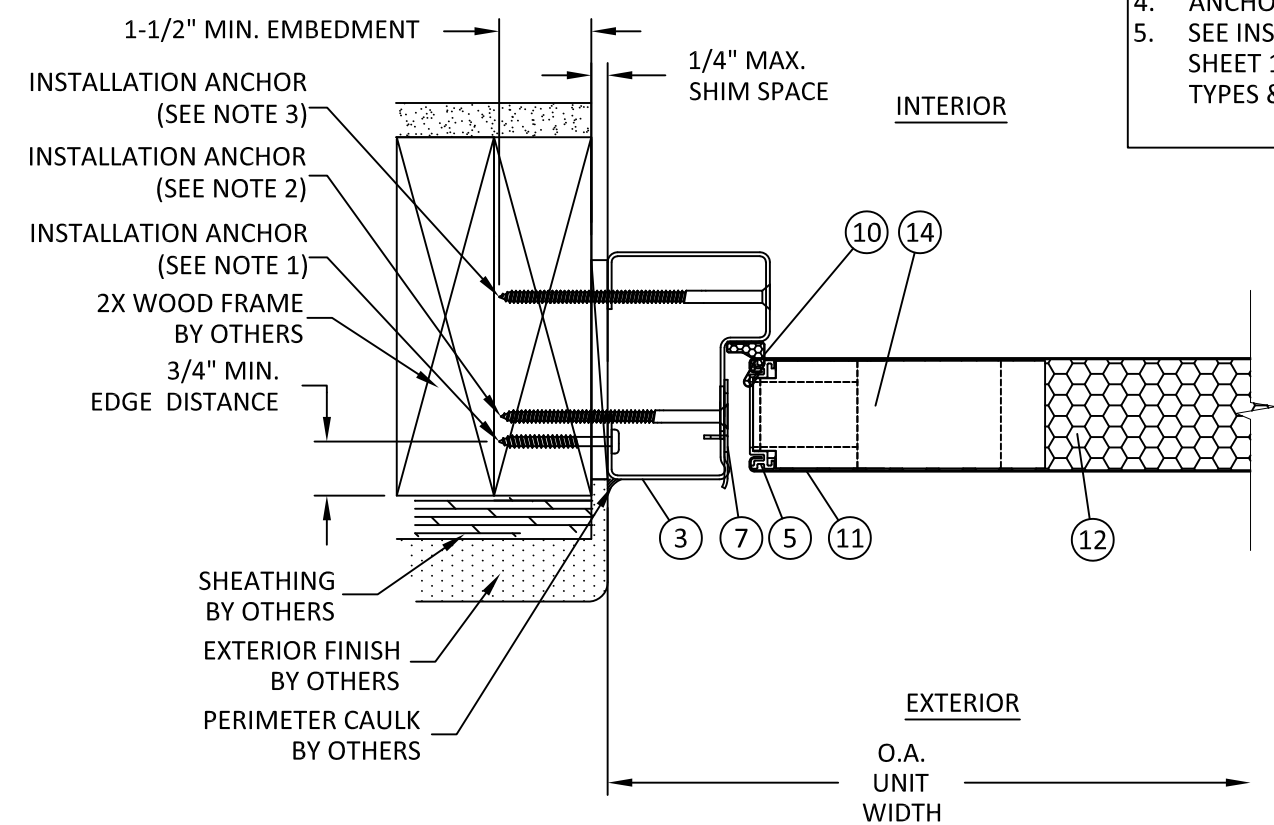


D
4
HORIZONTAL SECTION
JAMB - 2X WOOD BUCK, TYP.

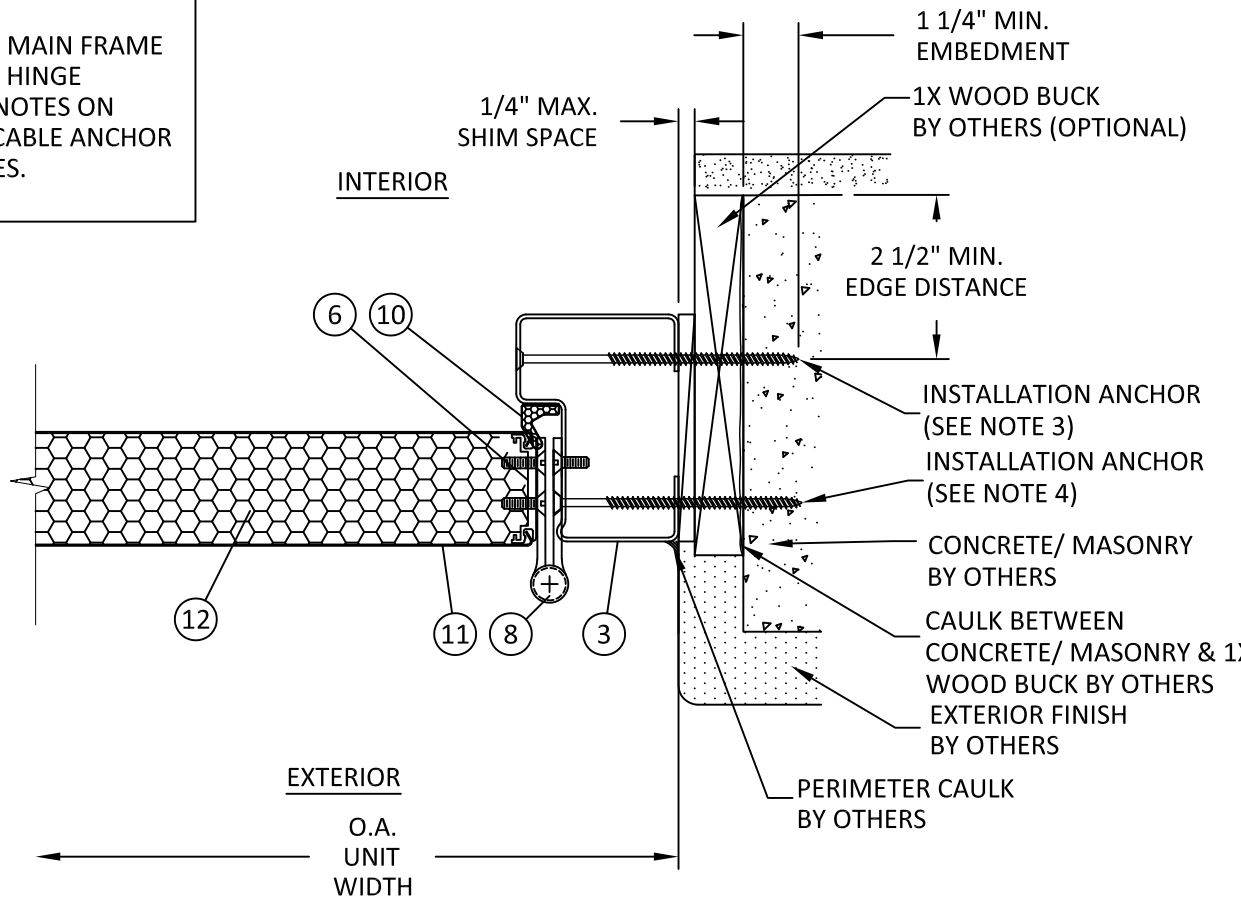


E
4
HORIZONTAL SECTION
JAMB - STEEL STUD, TYP.

- INSTALLATION ANCHOR NOTES**
1. ANCHOR THROUGH FRAME RETURN
 2. ANCHOR THROUGH STRIKE-SIDE FRAME
 3. ANCHOR THROUGH MAIN FRAME
 4. ANCHOR THROUGH HINGE
 5. SEE INSTALLATION NOTES ON SHEET 1 FOR APPLICABLE ANCHOR TYPES & SUBSTRATES.



F
4
HORIZONTAL SECTION
JAMB - 2X WOOD FRAME, TYP.



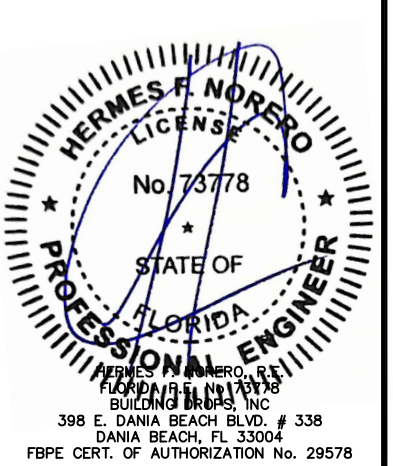
G
4
HORIZONTAL SECTION
JAMB - MASONRY/CONCRETE, TYP.

PLYCO
 PLYCO CORPORATION
 P.O. BOX 386
 500 INDUSTRIAL RD.
 ELKHART LAKE, WI 53020
 PH: (920) 876-3611 FAX: (920) 876-3527

TITLE: SERIES 20EV FLUSH STEEL OUTSWING DOOR (NON-HVHZ) (NON-IMPACT) HORIZONTAL SECTIONS
 PREPARED BY: BUILDING DROPS, INC.
 398 E. DANIA BEACH BLVD., STE. 338
 DANIA BEACH, FL 33004
 PH: (954) 399-8478
 FAX: (954) 744-4738
 WEB: www.buildingdrops.com

| REMARKS | BY | DATE |
|-------------------|----|----------|
| FBC 2023 REVISION | FB | 09/06/23 |
| | | |
| | | |

THE INSTALLATION DETAILS DESCRIBED HEREIN ARE GENERIC AND MAY NOT REFLECT ACTUAL CONDITIONS FOR A SPECIFIC SITE. IF SITE CONDITIONS CAUSE INSTALLATION TO DEVIATE FROM THE REQUIREMENTS DETAILED HEREIN, A LICENSED ENGINEER OR ARCHITECT SHALL PREPARE SITE SPECIFIC DOCUMENTS FOR USE WITH THIS DOCUMENT.



FL #: **FL15336**

DATE: **02.13.12**

| | |
|---------------------|---------------------|
| DWG. BY: JLA | CHK. BY: HFN |
|---------------------|---------------------|

SCALE: **NTS**

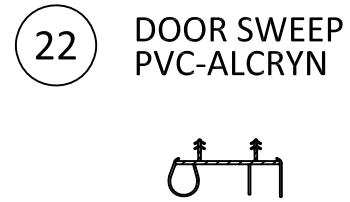
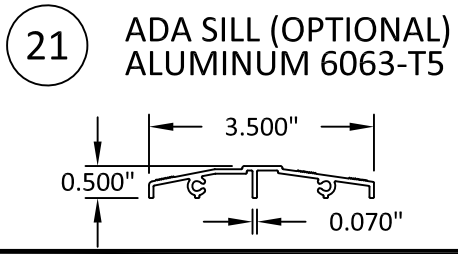
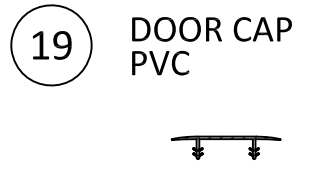
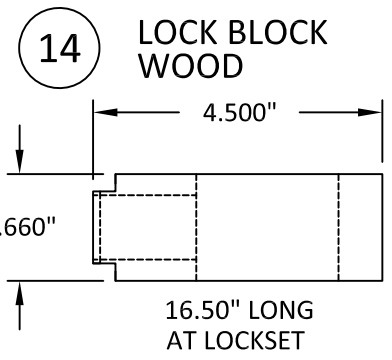
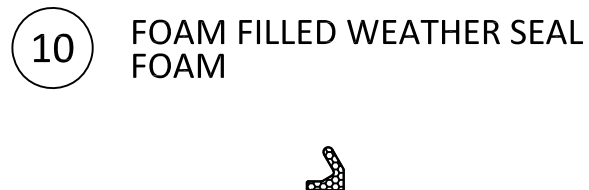
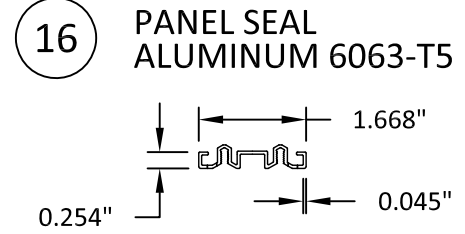
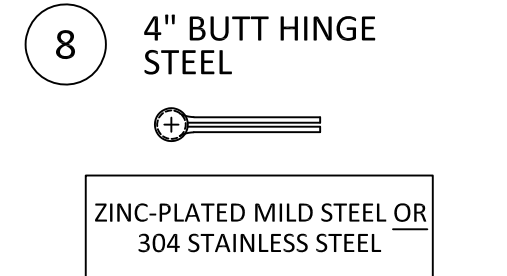
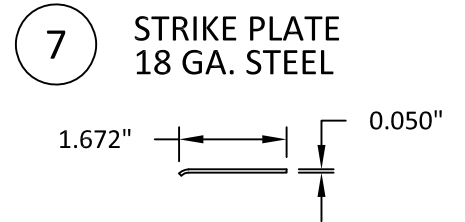
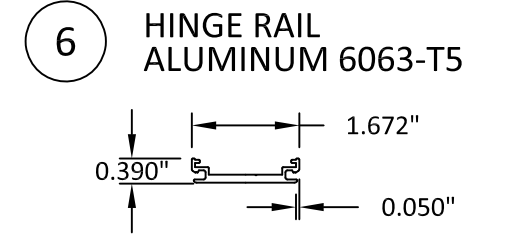
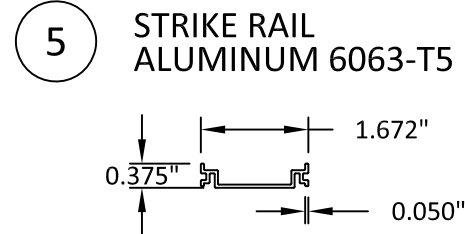
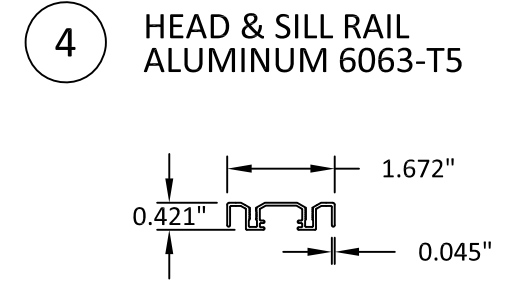
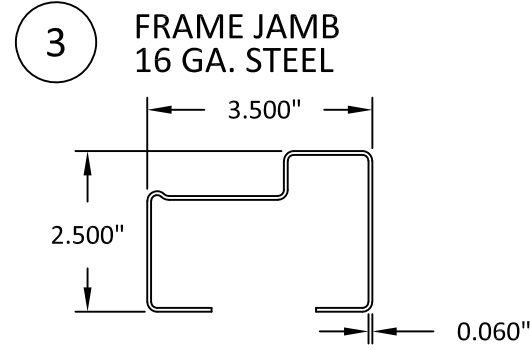
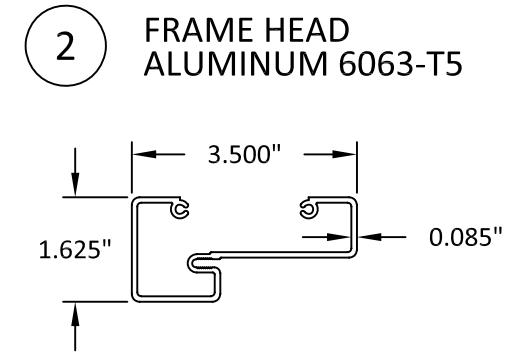
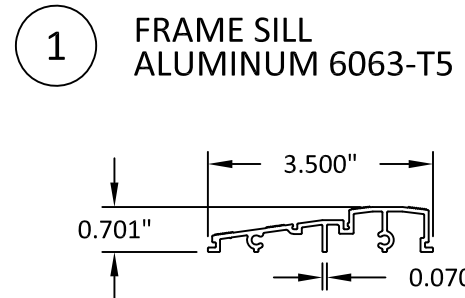
DWG. #: **PCO010**

SHEET: **4** OF 5

BILL OF MATERIALS

| ITEM NO. | DESCRIPTION | PARTS NUMBERS | MATERIAL | MANUFACTURER |
|----------|--------------------------|---------------|--------------|--------------|
| 1 | FRAME SILL | 1647 | 6063-T5 | MODERN DOOR |
| 2 | FRAME HEAD | 1880 | 6063-T5 | MODERN DOOR |
| 3 | FRAME JAMB | 1539 | STEEL | MODERN DOOR |
| 4 | HEAD & SILL RAIL | 1838-1A | 6063-T5 | MODERN DOOR |
| 5 | STRIKE RAIL | 1839 | 6063-T5 | MODERN DOOR |
| 6 | HINGE RAIL | 1840-B | 6063-T5 | MODERN DOOR |
| 7 | STRIKE PLATE | --- | STEEL | MODERN DOOR |
| 8 | 4" BUTT HINGE | --- | STEEL | MODERN DOOR |
| 9 | DOOR SWEEP (HEAD) | --- | PVC-ALCRYN | MODERN DOOR |
| 10 | FOAM FILLED WEATHER SEAL | WS-016 | FOAM | MODERN DOOR |
| 11 | DOOR SKIN | --- | 0.021" STEEL | MODERN DOOR |
| 12 | PANEL CORE | --- | POLYURETHANE | MODERN DOOR |
| 13 | --- | --- | --- | --- |
| 14 | LOCK BLOCK | --- | WOOD | MODERN DOOR |
| 15 | LOCKSET | --- | STEEL | SCHLAGE |
| 16 | PANEL SEAL | 1929 | 6063-T5 | MODERN DOOR |
| 17 | DOOR SWEEP (SILL) | --- | PVC-ALCRYN | MODERN DOOR |
| 18 | DEADBOLT (OPTIONAL) | --- | STEEL | SCHLAGE |
| 19 | DOOR CAP | --- | PVC | MODERN DOOR |
| 20 | WEATHER SEAL | 9650 | PVC | MODERN DOOR |
| 21 | ADA SILL (OPTIONAL) | 1572 | 6063-T5 | MODERN DOOR |
| 22 | DOOR SWEEP | 1852 | PVC-ALCRYN | MODERN DOOR |

NOTE: ALL EXPOSED STEEL COMPONENTS ARE GALVANIZED AND SHOP PRIMED.



PLYCO

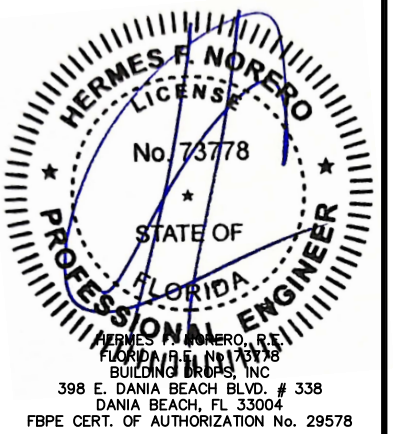
PLYCO CORPORATION
P.O. BOX 386
500 INDUSTRIAL RD.
ELKHART LAKE, WI 53020
PH: (920) 876-3611 FAX: (920) 876-3527

TITLE: SERIES 20EV FLUSH
STEEL OUTSWING DOOR
(NON-HVHZ) (NON-IMPACT)
COMPONENTS &
BILL OF MATERIALS

PREPARED BY: BUILDING DROPS, INC.
398 E. DANIA BEACH BLVD., STE. 338
DANIA BEACH, FL 33004
PH: (954)399-8478
FAX: (954)744-4738
WEB: www.buildingdrops.com

| REMARKS | BY | DATE |
|-------------------|----|----------|
| FBC 2023 REVISION | FB | 09/06/23 |
| | | |

THE INSTALLATION DETAILS DESCRIBED HEREIN ARE GENERIC AND MAY NOT REFLECT ACTUAL CONDITIONS FOR A SPECIFIC SITE. IF SITE CONDITIONS CAUSE INSTALLATION TO DEVIATE FROM THE REQUIREMENTS DETAILED HEREIN, A LICENSED ENGINEER OR ARCHITECT SHALL PREPARE SITE SPECIFIC DOCUMENTS FOR USE WITH THIS DOCUMENT.



FL #: **FL15336**

DATE: **02.13.12**

DWG. BY: **JLA** CHK. BY: **HFN**

SCALE: **NTS**

DWG. #: **PCO010**

SHEET: **5**
OF 5

9/7/2023 3:06 PM
z:\projects\plyco corp\ce-23-0752 - 2023 code change - series 20ev\dwgs\pco010-fbc2023.dwg